



Smooth Gate Operation

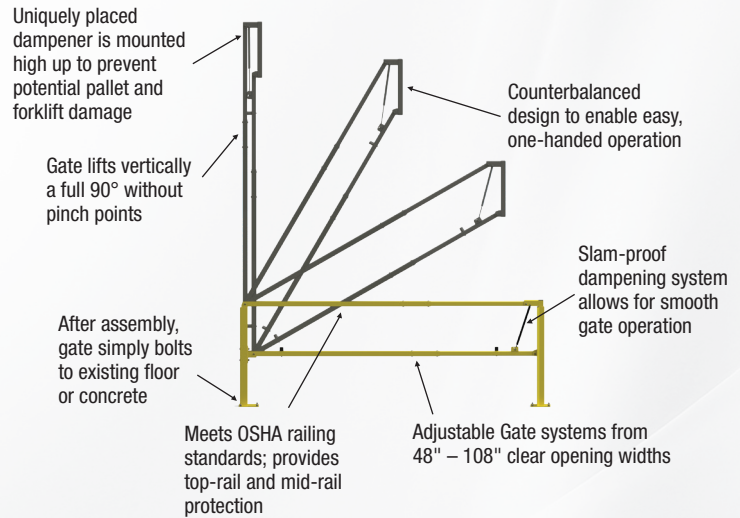
Personnel Fall Protection

# EDGESAFE™ SMART GATE

## THE SMART CHOICE FOR MACHINE GUARDING AND TRAFFIC CONTROL

Improve employee and customer safety the smart way by utilizing the EdgeSafe™ Smart Gate from PS Safety Access™ in your facility. Customizable to fit your specific application, our smart gate is ideal for crowd control where forklift traffic (or other machinery traffic) is present. Start improving your walkway safety today with the EdgeSafe Smart Gate.

- **Safety That Pays** – The EdgeSafe Smart Gate keeps your team safe while keeping your facility running efficiently
- **Flexible Sizing** – Gate systems from 48" – 108" clear opening widths
- **Easy Operation** – Counterbalanced design makes it easy for one person to operate the gate smoothly with just one hand
- **No Slamming** – A unique dampening system keeps the gate from closing hard, and the damper is specially mounted high up to prevent it from becoming damaged
- **Lifts Out Of The Way** – The gate lifts vertically 90 degrees (without pinch points) to ensure plenty of clearance for loading and unloading
- **Built To Last** – Heavy-gauge steel and a powder coat yellow finish make it ideal for repetitive use
- **Ships via FedEx or UPS** – Once assembled, simply bolts to existing floor or concrete



**OSHA-COMPLIANT**  
The EdgeSafe Smart Gate meets OSHA Standards 1910.28 and 1910.29.

### Ask About Our Other Material Handling Safety Gates



SafeMezz360™



Pallet Rack Safety Gate

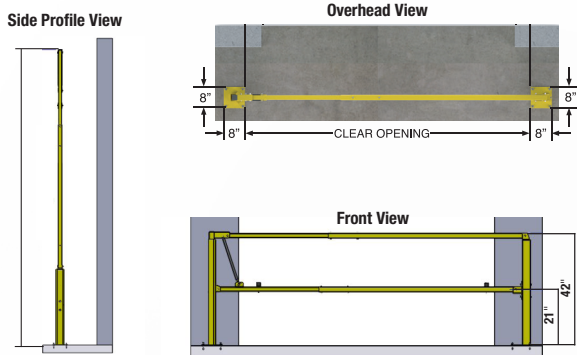


SafeMezz™ Horizontal Gate





## STANDARD TECHNICAL DATA



### TYPICAL CONFIGURATIONS:

Product Number	Clear Opening Widths	Overall Height	Overall Width
SG-60-PCY	48" – 78"	94¼" – 124¼"	64" – 94"
SG-96-PCY	84" – 108"	130¼" – 154¼"	100" – 124"

### INSTALLATION:

Assembly required. After gate is fully assembled, product simply bolts to existing floor or concrete

### MATERIAL:

- Gate Rails: 1-3/4" square, mild steel tube, minimum 16-gauge, factory welded
- Gate Post: 3" square, mild steel tube, minimum 16-gauge, factory welded
- Gate Catch: 10-gauge formed mild steel, factory welded
- Fasteners: zinc plated
- Anchors: 3/8" expansion-type concrete anchors for installation into a minimum of 3,000 PSI concrete

### FINISH:

Finish on all exposed, non-prefinished components to be powder coat safety yellow

### PERFORMANCE RATING:

Gate shall meet or exceed OSHA requirements at the time of manufacture relative to dimensions and loading; one-year warranty from date of shipment, excluding finishes

### FLEXIBLE SIZING – ADJUSTABLE TO FIT:

- SG-60-PCY – Adjustable to fit 48" – 78" clear opening widths
- SG-96-PCY – Adjustable to fit 84" – 108" clear opening widths

