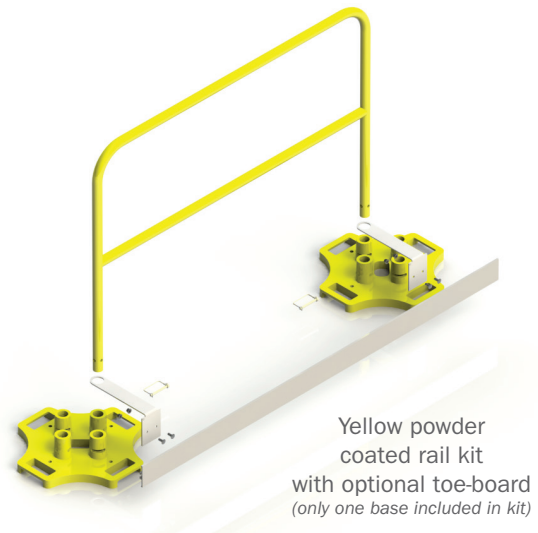


T-Rail 17 is a versatile line of guardrail systems that fits a variety of applications meeting OSHA regulations for guardrails without penetrating your roof. In addition, it can be used as a portable system during construction and be moved from one location to another as needed.

The T-Rail 17 is a non-penetrating 42 in. (106 cm) high guardrail system designed for passive fall protection. It can be used on rooftops as a safety barrier for roof edge protection and also for ground applications to restrict off limit areas. The system can be used as a temporary portable system or as a permanent fall protection system.

Rail sections and gates are available from 3 to 10 ft. (1 to 3 m) long to be secured to cast iron bases allowing any type of shape and any length required. Adjustable midrails are available to avoid obstacles in the path of the rail. Rails and gates are sold in kits.

Low profile 1 ft. (0.5 m) high rails are also available. They are used for continuing a rail system under ductwork system.



BENEFITS

- Non penetrating placement
- Low cost installation, three workers can erect over 250 ft. (75 m) in an hour, no tools required
- No extending counterweights required, reducing trip hazards
- Provide a safe work environment—no work stop-ages or fines

FEATURES

- Four port base allows rail sections to be angled in any direction
- Positive locking system secures rails to base
- Bases come standard with EPDM pads on bottom
- Adjustable midrails available when obstacles need to go through rail.
- Working handles are cast into base for easy lifting and positioning
- Stackable bases for easy storage and transport for quick rental requirements
- No intermediate counter weights are required, reducing trip hazards
- For temporary or permanent applications and hot-dipped galvanized
- Gates conveniently sized to match rail lengths
- Rail sections and base are available in powder coated yellow
- Custom colors upon request
- Rail Transport Cart and mover available to facilitate storage and installation



APPLICATIONS

- | | |
|----------------------------|---|
| ▪ Manhole barricade | ▪ Crowd control |
| ▪ Rail car platforms | ▪ Hoist areas |
| ▪ Ramps | ▪ Rooftops |
| ▪ Construction sites | ▪ Skylight protection |
| ▪ Dig Sites | ▪ Height safety around mechanical equipment |
| ▪ Mezzanines | |
| ▪ Assembly and break areas | |

APPLICABLE STANDARDS

- OSHA 29 CFR 1910.29
- OSHA 29 CFR 1926.502 Subpart M: Fall Protection
- Canadian National Building Code 4.1.5.14
- Canadian National Building Code 9.8.8
- Ontario Building Code

ACCESSORIES

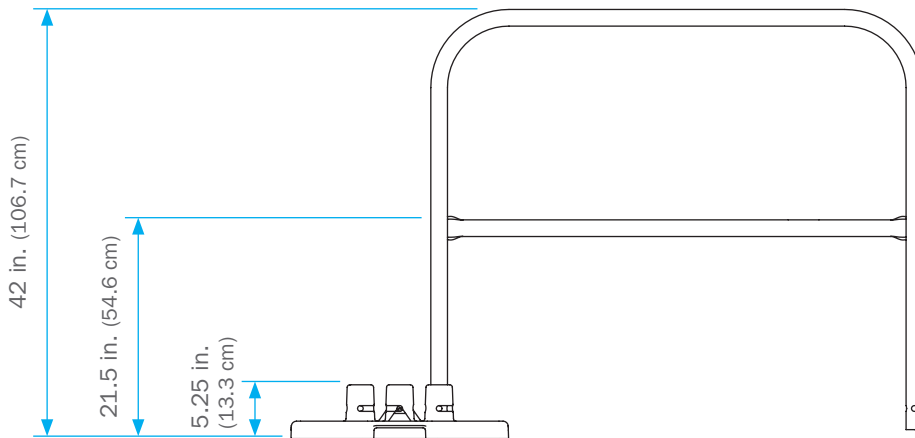
- Base with pads available in powder coated or galvanized finish
- Optional large 30 x 30 in. (76.2 x 76.2 cm) EPDM or BUR pads for additional protection
- Mobile cart for moving railing system
- Base mover with puncture-proof tires

⚠ WARNING








A minimum 4 ft. (1.2 m) T-Rail 17 guardrail section must be placed at the beginning and at the end of the run, connected with an angle of approximately 90° to the hazardous side of each end rail section.



RAIL SECTION



Rail section lengths

	3 ft. (1 m)
	3½ ft. (1.1 m)
	4 ft. (1.2 m)
	5 ft. (1.5 m)
	6 ft. (1.8 m)
	7½ ft. (2.3 m)
	10 ft. (3 m)

Yellow powder coated rail kits

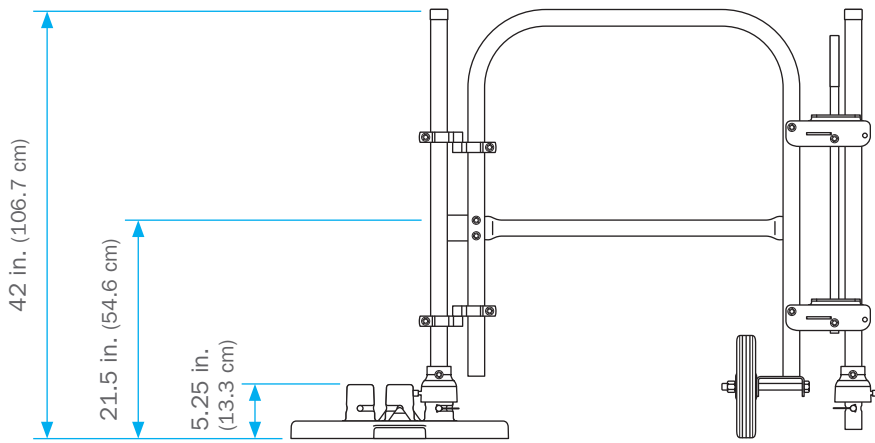
PART #	DESCRIPTION
TR-03Y	3 ft. (1 m) yellow powder coated rail kit
TR-03.5Y	3.5 ft. (1.1 m) yellow powder coated rail kit
TR-04Y	4 ft. (1.2 m) yellow powder coated rail kit
TR-04AY	4 ft. (1.2 m) yellow powder coated rail kit with adjustable midrail
TR-05Y	5 ft. (1.5 m) yellow powder coated rail kit
TR-05AY	5 ft. (1.5 m) yellow powder coated rail kit with adjustable midrail
TR-06Y	6 ft. (1.8 m) yellow powder coated rail kit
TR-07.5Y	7.5 ft. (2.3 m) yellow powder coated rail kit
TR-07.5AY	7.5 ft. (2.3 m) yellow powder coated rail kit with adjustable midrail
TR-10Y	10 ft. (3 m) yellow powder coated rail kit
TR-10AY	10 ft. (3 m) yellow powder coated rail kit with adjustable midrail
TR-01.5LY	19 in. (48 cm) low profile yellow powder coated rail kit – 1 ft. (0.5 m) high

Galvanized rail kits

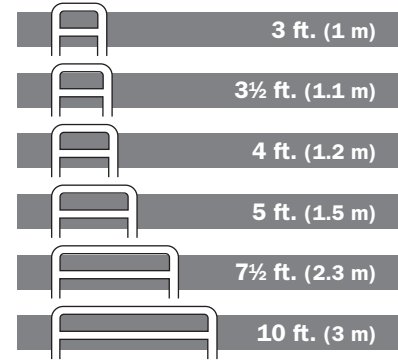
PART #	DESCRIPTION
TR-03G	3 ft. (1 m) galvanized rail kit
TR-03.5G	3.5 ft. (1.1 m) galvanized rail kit
TR-04G	4 ft. (1.2 m) galvanized rail kit
TR-04AG	4 ft. (1.2 m) galvanized rail kit with adjustable midrail
TR-05G	5 ft. (1.5 m) galvanized rail kit
TR-05AG	5 ft. (1.5 m) galvanized rail kit with adjustable midrail
TR-06G	6 ft. (1.8 m) galvanized rail kit
TR-07.5G	7.5 ft. (2.3 m) galvanized rail kit
TR-07.5AG	7.5 ft. (2.3 m) galvanized rail kit with adjustable midrail
TR-10G	10 ft. (3 m) galvanized rail kit
TR-10AG	10 ft. (3 m) galvanized rail kit with adjustable midrail
TR-01.5LG	19 in. (48 cm) low profile galvanized rail kit – 1 ft. (0.5 m) high

*Rail kit includes one T-Rail 17 section and one base with two pins. Additional bases sold separately.

GATE SECTION



Gate section lengths



Yellow powder coated gate kits

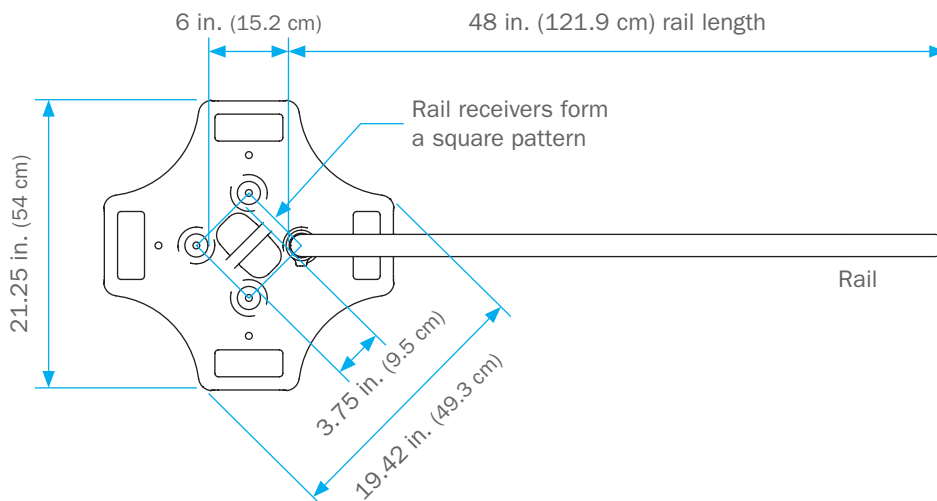
PART #	DESCRIPTION
TG-03Y	3 ft. (1 m) yellow powder coated gate kit
TG-03.5Y	3.5 ft. (1.1 m) yellow powder coated gate kit
TG-04Y	4 ft. (1.2 m) yellow powder coated gate kit
TG-05Y	5 ft. (1.5 m) yellow powder coated gate kit
TG-07.5Y	7.5 ft. (2.3 m) yellow powder coated gate kit
TG-10Y	10 ft. (3 m) yellow powder coated gate kit

Galvanized gate kits

PART #	DESCRIPTION
TG-03G	3 ft. (1 m) galvanized gate kit
TG-03.5G	3.5 ft. (1.1 m) galvanized gate kit
TG-04G	4 ft. (1.2 m) galvanized gate kit
TG-05G	5 ft. (1.5 m) galvanized gate kit
TG-07.5G	7.5 ft. (2.3 m) galvanized gate kit
TG-10G	10 ft. (3 m) galvanized gate kit

*Kit includes one gate and base. Additional bases sold separately

BASE



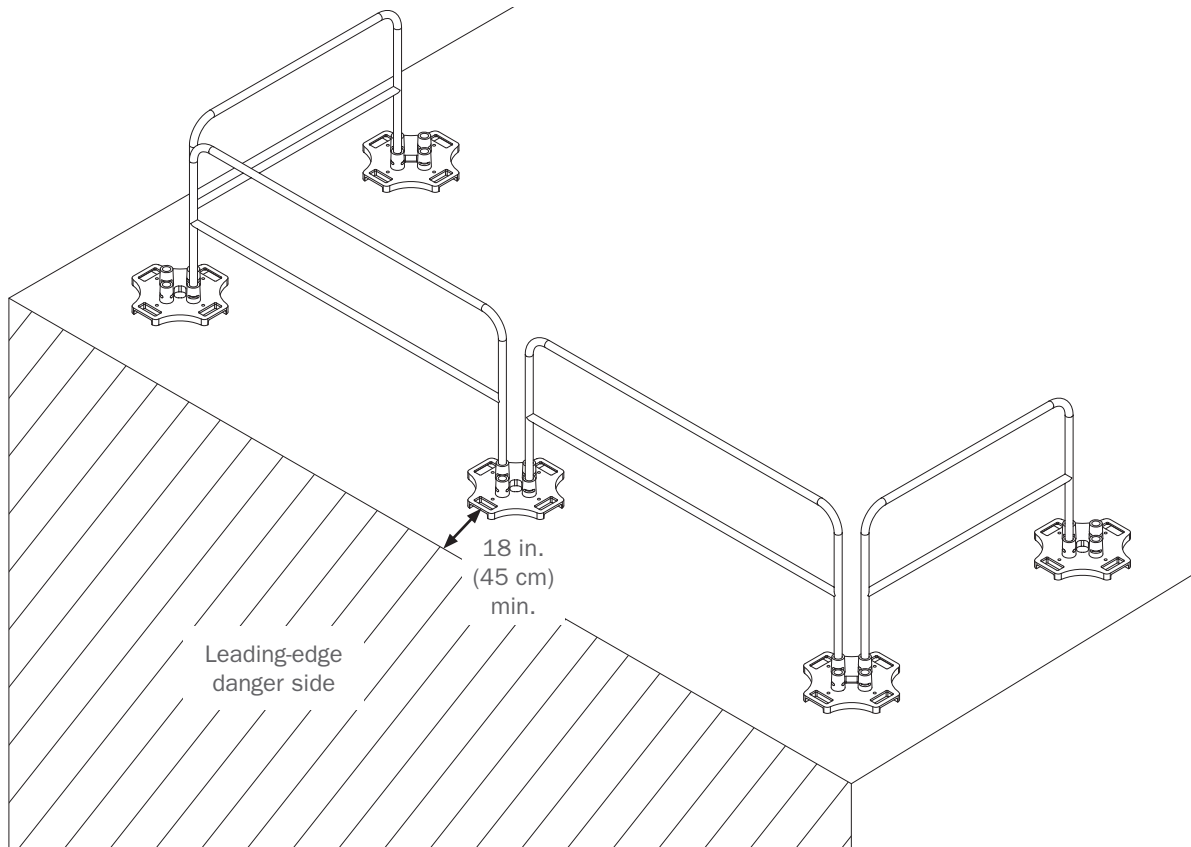
Yellow powder coated base

PART #	DESCRIPTION
TBY	Yellow powder coated base with pads

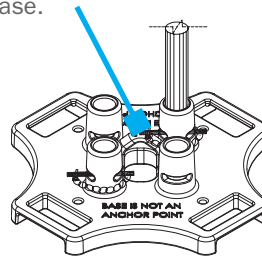
Galvanized base

PART #	DESCRIPTION
TBG	Galvanized base with pads

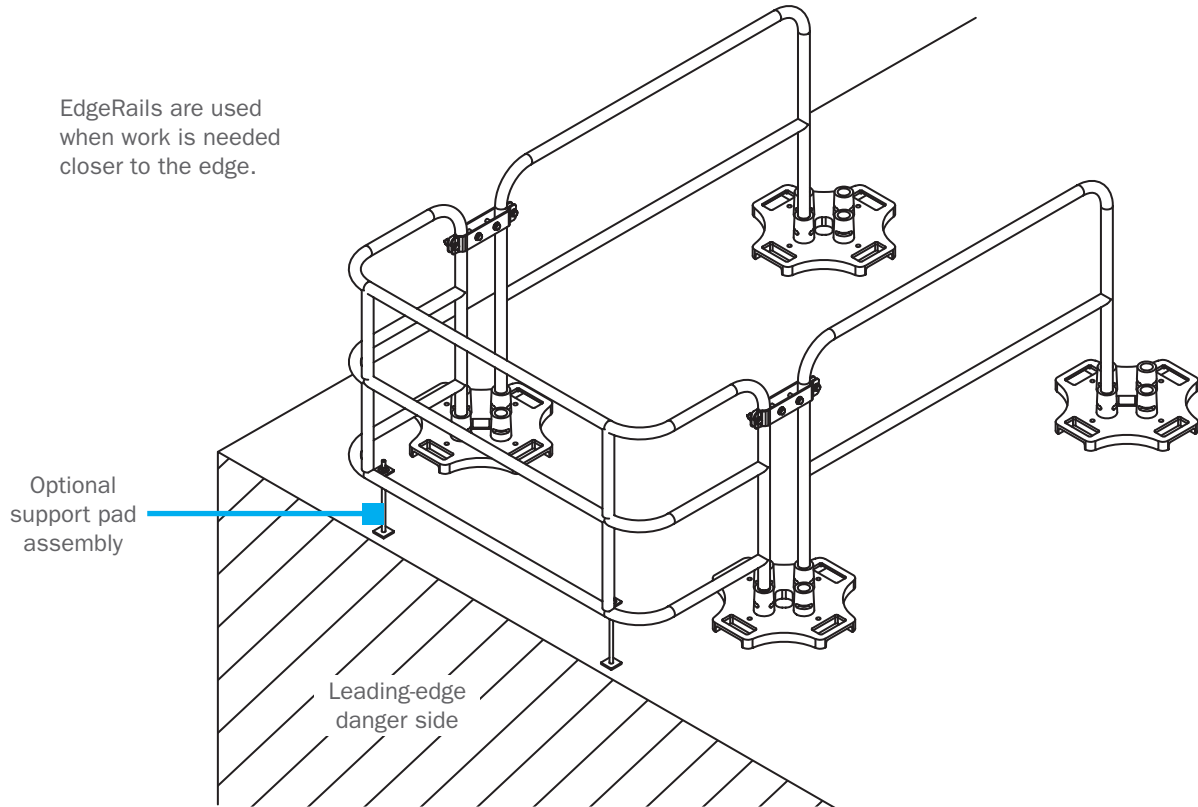
ASSEMBLY VIEW



Rail sections are kept securely in place simply by inserting a lockpin through post and base.



OPTIONAL EDGERAILS KITS



Yellow powder coated EdgeRail kits

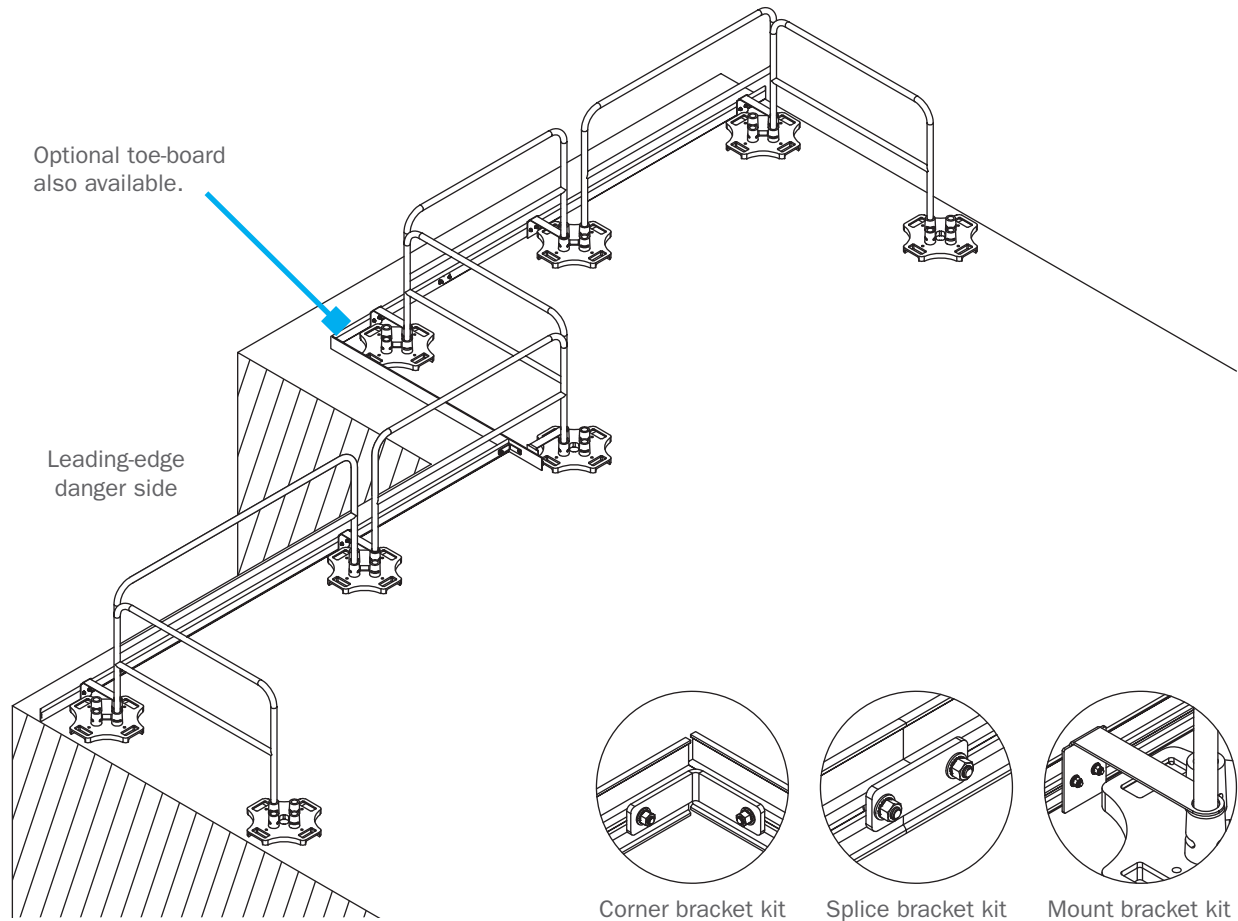
PART #	DESCRIPTION
ER-03Y	3 ft. (1 m) yellow powder coated EdgeRail kit
ER-05Y	5 ft. (1.5 m) yellow powder coated EdgeRail kit
ER-08Y	8 ft. (2.4 m) yellow powder coated EdgeRail kit
ER-10Y	10 ft. (3 m) yellow powder coated EdgeRail kit

Galvanized EdgeRail kits

PART #	DESCRIPTION
ER-03G	3 ft. (1 m) galvanized EdgeRail kit
ER-05G	5 ft. (1.5 m) galvanized EdgeRail kit
ER-08G	8 ft. (2.4 m) galvanized EdgeRail kit
ER-10G	10 ft. (3 m) galvanized EdgeRail kit

*Kit includes one EdgeRail and base. Additional bases and returns/counterweights sold separately

OPTIONAL TOE-BOARD



PART #	DESCRIPTION
TBKAEXT	10 ft. (3 m) aluminum toe-board section
TBKCSP	Corner bracket kit
TBKISP	Splice bracket kit
TBKAD	Mount bracket kit