

EDGEHALT®

Ladder Safety Gate



Installation Instructions/Operation and Maintenance Manual



Models:

All Models

Table of Contents:

Safety Precautions 2

Product Information 2

Operation 3

Standard 2" O.D. Railing Installation 4

Installation on Angle Iron Railing 6

Installation on Flat Bar or Wall Surface 7

Replacement Parts 8

Inspection and Maintenance 9

Warranty Certificate 11

Contact Information

Mail
 PS Safety Access
 1150 South 48th Street
 Grand Forks, ND 58201

Local Phone
 701.746.4519

Toll Free Phone
 877.446.1519

Website
 pssafetyaccess.com

Email
 4psinfo@psindustries.com

Hours of Operation
 8 A.M. to 5 P.M. CT
 Monday – Friday

IMPORTANT! Read entire Instruction and Operations Manual to become familiar with the product.

NOTICE This product is a fall protection product. The effectiveness of the product is directly related to the proper installation and operation of this product. Failure to properly maintain this product **will** affect performance.

Publication Notice

This manual has been compiled and published covering the latest product descriptions and specifications.

The contents of this manual and the specifications of this product are subject to change without notice.

PS Safety Access™ reserves the right to make changes without notice in the specifications and materials contained herein and shall not be responsible for any damages (including consequential) caused by reliance on the materials presented, including but not limited to typographical and other errors relating to the publication.

PS Safety Access and/or its respective suppliers may make improvements and/or changes in the product(s)/ service(s) offered and/or the program(s) at any time without notice.

Retain this manual for future reference.

If you would like to download a copy of this manual, please go to pssafetyaccess.com

Product registration is an essential step to protecting your product, register Online at psindustries.com/contact/register-your-product/



Safety Precautions

The following icons are used throughout this Manual.

- ▲ DANGER** Indicates an imminently hazardous situation which, if not avoided, will result in death or serious injury.
- ▲ WARNING** Indicates a potentially hazardous situation which, if not avoided, could result in death or serious injury.
- ▲ CAUTION** Indicates a potentially hazardous situation which, if not avoided, may result in minor or moderated injury.
- NOTICE** Indicates manufacturer's statement of additional information.
- IMPORTANT!** Indicates a required action.
- CRITICAL** Indicates a vital component to product performance.

Product Information

NOTICE Unauthorized modification of or to the Product voids this Limited Warranty. Authorized modifications, received in writing from PS Industries® Incorporated, as long as the modification is accomplished in strict accordance with PS Industries' instructions, does not void warranty. To request product modifications contact PS Industries, 1150 S. 48th Street, Grand Forks, ND 58201, phone 877-446-1519, email: 4psinfo@psindustries.com

I. General Information

- A. This manual contains information regarding installation, operation, and maintenance of the PS Safety Access' Ladder Safety Gate.
- B. PS Safety Access recommends that the owner implement a regular maintenance program to inspect the Ladder Safety Gate as necessary.

II. Operation Guidelines

- A. The Ladder Safety Gate is designed to meet OSHA Railing Standard 1910.29(b).
- B. Operation in a manner other than intended could result in damage or less than acceptable performance at time of need, for which the manufacturer will not be held responsible.
- C. There are variations of the Ladder Safety Gate hinge plate. If you have a LSG that is between 15" and 36", it will have two (2) hinges attached to the hinge plate. If your gate is between 40" and 48", it will have three (3) hinges attached to the hinge plate. Although these gates are designed differently, all PS Safety Access' Ladder Safety Gates should follow these Installation Instructions and Operator's Manual.

III. Safety Precautions

- A. Ensure opening is clear of all obstructions through the entire proposed travel of the Ladder Safety Gate during operation.
- B. Comply with all OSHA and ANSI Safety Regulations and/or company safety policies when installing.

▲ DANGER Ensure area below installation is blocked off from personnel during installation, and mounting surface is capable of supporting all loading. Structural analysis of mounting surface is the responsibility of the owner.

IV. Storage Prior to Installation of Product

- A. Store materials in a dry, ventilated location. If outdoor storage is required, block materials and tarp in a tent-like arrangement, elevated above the product with open sides to allow airflow.

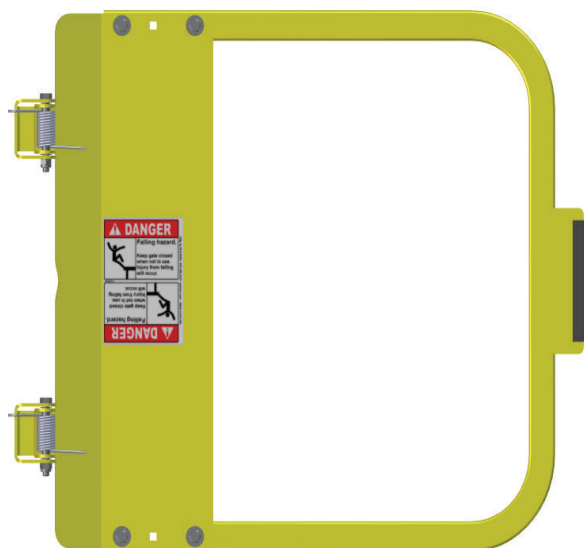
V. Installation Site Preparation

NOTICE Before starting site preparation and installation of the Ladder Safety Gate, read the entire Operation and Maintenance Manual and review all installation instructions thoroughly.

- A. Clear work area of any debris.
- B. Ensure you have the necessary tools available.
- C. Obtained all required permits.
- D. Personnel: Determine the appropriate number of personnel required to perform installation and have them readily available at the project site. (1-2 people recommended)

Product Information

NOTE: Inventory carton to ensure all parts are present for assembly/installation. Refer to part list below.



(1) Ladder Safety Gate
(pre-assembled)

Recommended Tools:

1. One (1) 1/2" Deep-well Socket and Ratchet
2. One (1) Wrench Set
3. One (1) Tape Measure
4. One (1) Torque Wrench
5. One (1) Impact Drill w/ 3/8" Nut Driver

Ladder Safety Gate Part List (As shipped)

ITEM #	DESCRIPTION	QTY
1~	LSG;HINGE PLATE ASSEMBLY	1
2~	LSG;HOOP	1
3~	BOLT;CARRIAGE5/16"-18X2"	4
4~	WASHER;FLAT 5/16"	4 [6*]
5~	NUT;NYLOCK 5/16"	4 [6*]
8	LSG;HARDWARE BAG	1
9	LSG;INSTALLATION/O & M MANUAL	1
10	LSG;SUPPORT BLOCK KIT**	1

* Quantity for 3-hinge variants.

** For models LSG-30 to LSG-48 only, and all HatchSafe® models.

~Item Numbers 1-5 come pre-assembled.

VI. Operation

A. When ascending a ladder/entering the elevated platform:

1. When the gate opening is reached, obtain a firm grip on the railing or ladder.
2. Step through gate.
3. **DO NOT USE THE LADDER SAFETY GATE AS A GRAB SURFACE.**

B. When descending a ladder/exiting the elevated platform.

1. Open the Ladder Safety Gate and obtain firm grip on railing.
2. Maneuver yourself into the proper ladder descending position. **DO NOT USE THE LADDER SAFETY GATE AS A GRAB SURFACE.**
3. Always maintain a firm grip on the railing or ladder.

Standard 2" O.D. Railing Installation

VII. Standard 2" O.D. Railing Installation

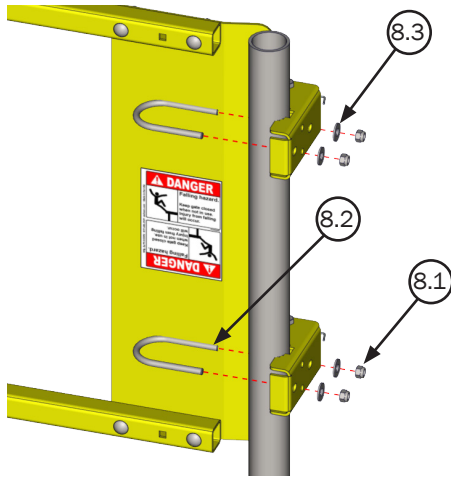
(Railing up to 2" O.D. round or 1 1/2" x 1 1/2" square.)

STEP 1. Loosely attach the Ladder Safety Gate to the railing with the 5/16" U-bolts.

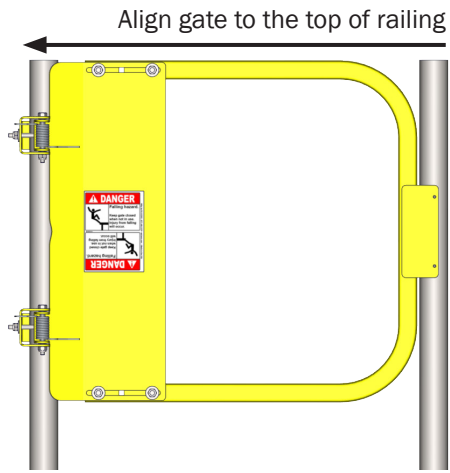
**Do not tighten, additional adjustment may be required.*

STEP 2. Adjust top of Safety Gate to align with top of railing.

**Step 1
Illustration**



**Step 2
Illustration**

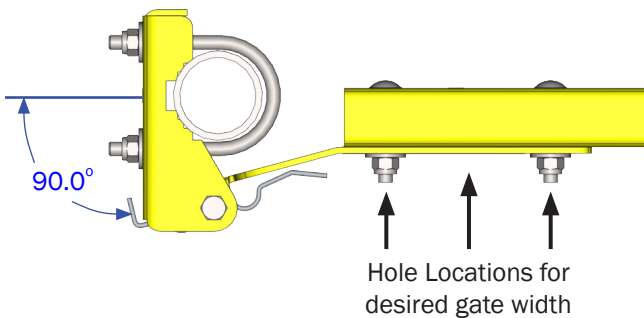


STEP 3. Align railing/mounting bracket to be perpendicular (90°) to Ladder Safety Gate opening, tighten U-Bolts.

STEP 4. Adjust hoop/gate arm to proper opening width by selecting any combination of two of the three carriage bolt holes at connection point of hinge plate and hoop/gate arms. Ensure stop plate overlaps and contacts adjacent vertical column of railing system.

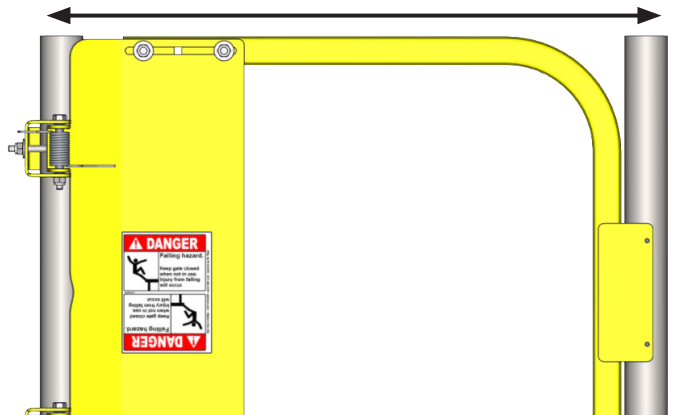
**Step 3
Illustration**

TOP VIEW



**Step 4
Illustration**

FRONT VIEW



CRITICAL VERIFY INSTALLATION

1. Ensure all bolts/nuts are tight.
2. Operate gate to ensure free movement.

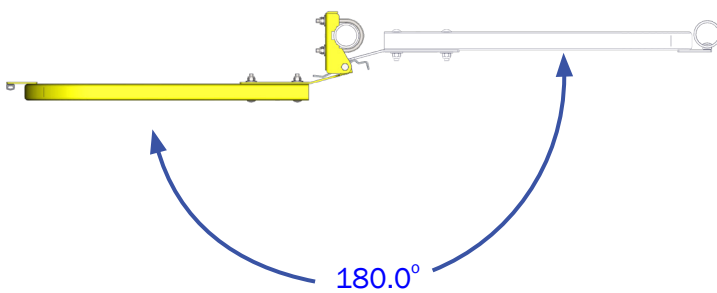
Standard 2" O.D. Railing Installation

STEP 5. Operate the gates through full swing range to check for proper alignment.

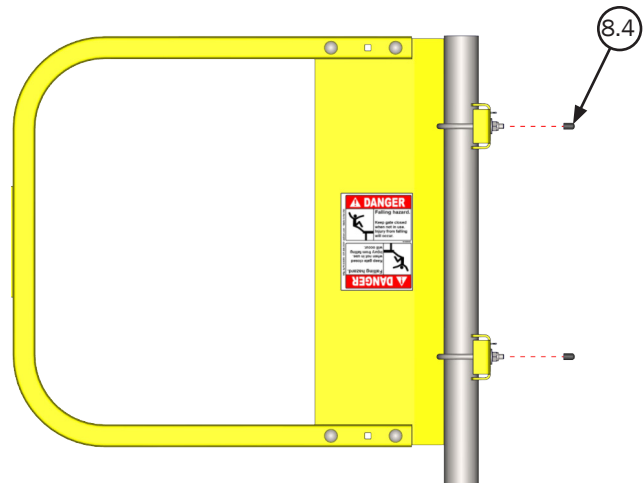
STEP 6. Tighten $\frac{5}{16}$ " U-bolts in final position. Install plastic protective thread caps (optional).

▲ WARNING Tighten each U-bolt to 20 ft-lbs of torque and field verify for adequate attachment.

**Step 5
Illustration**

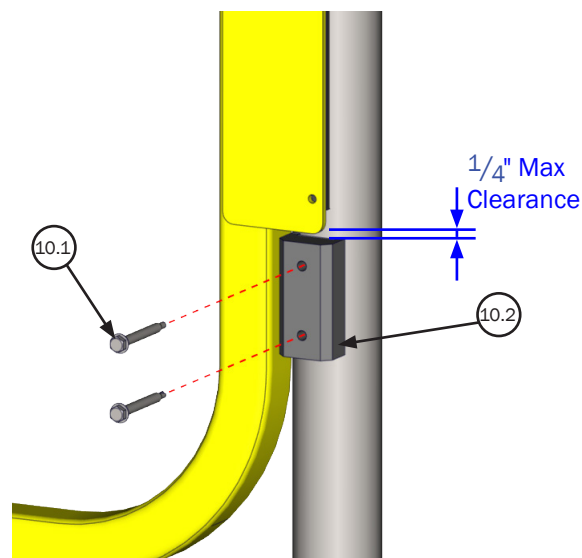


**Step 6
Illustration**



STEP 7. For Models LSG-30 through LSG-48 ONLY (unless installed on HatchSafe®), utilize provided self-drillers and fasten support block to railing.

**Step 7
Illustration**



▲ WARNING Tighten all fasteners to a minimum torque of 10 ft-lbs unless otherwise specified.

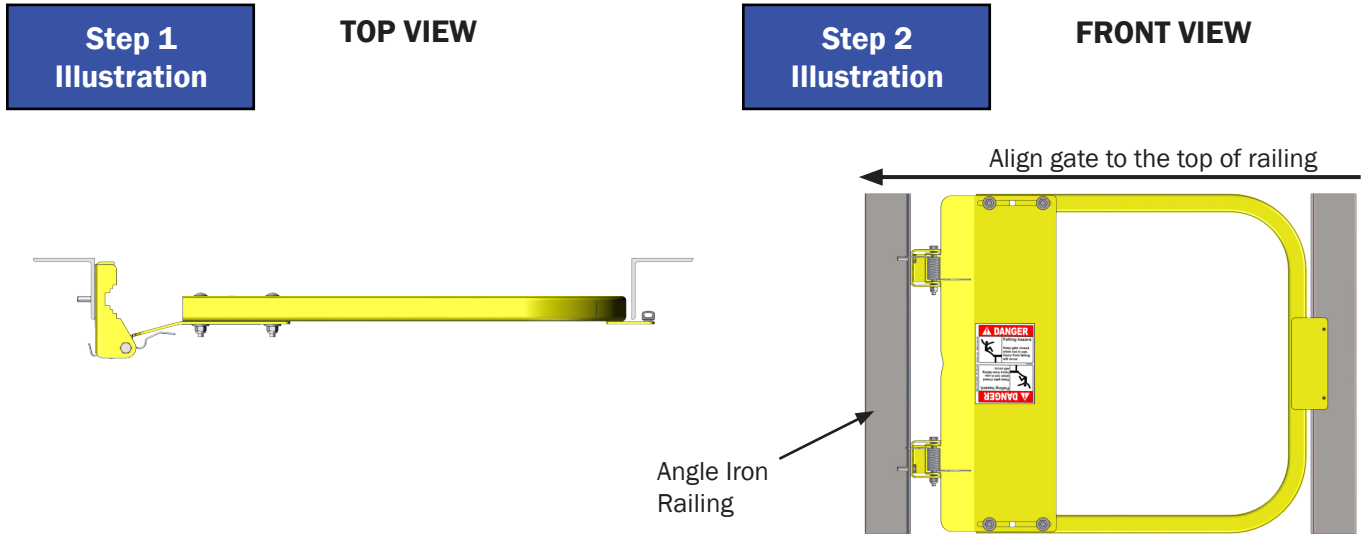
Installation on Angle Iron Railing

VIII. Installation on Angle Iron Railing (Supplied By Others, NOT PS Safety Access)

NOTICE If mounting your Ladder Safety Gate to angle iron railing: Gate bolts directly to existing railing (see below installation instructions). If you do not wish to drill into your existing railing system, call PS Safety Access at 877.446.1519 to order a “no drill” adapter bracket.

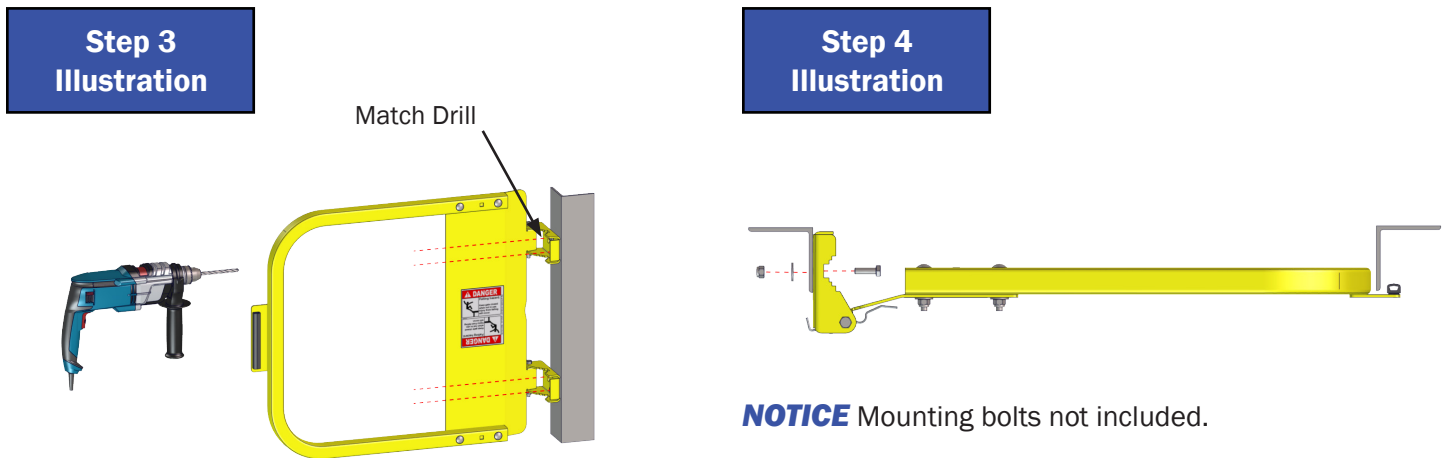
STEP 1. Align the Ladder Safety Gate Railing Bracket flush to the inside of the angle iron.

STEP 2. Adjust top of Ladder Safety Gate to align with top of railing.



STEP 3. Match drill $\frac{3}{8}$ ” holes into the railing. (One per Railing Bracket.) If no railing, adjust top of hoop/gate arm to 42” above walking surface.

STEP 4. Insert appropriate mounting bolts through Railing Brackets into angle iron railing (Mounting bolts provided by others, NOT PS Safety Access). Loosely attach the Ladder Safety Gate to the angle iron.



NOTICE Rest of gate not shown.

STEP 5. Refer to STEPS 4-7 on Page 4 and 5 for remainder of installation.

NOTICE If no stop surface is available for the stop plate to rest against, install stop surface (Provided By Others, NOT PS Safety Access), using appropriate anchoring hardware and material, to align with the stop plate.

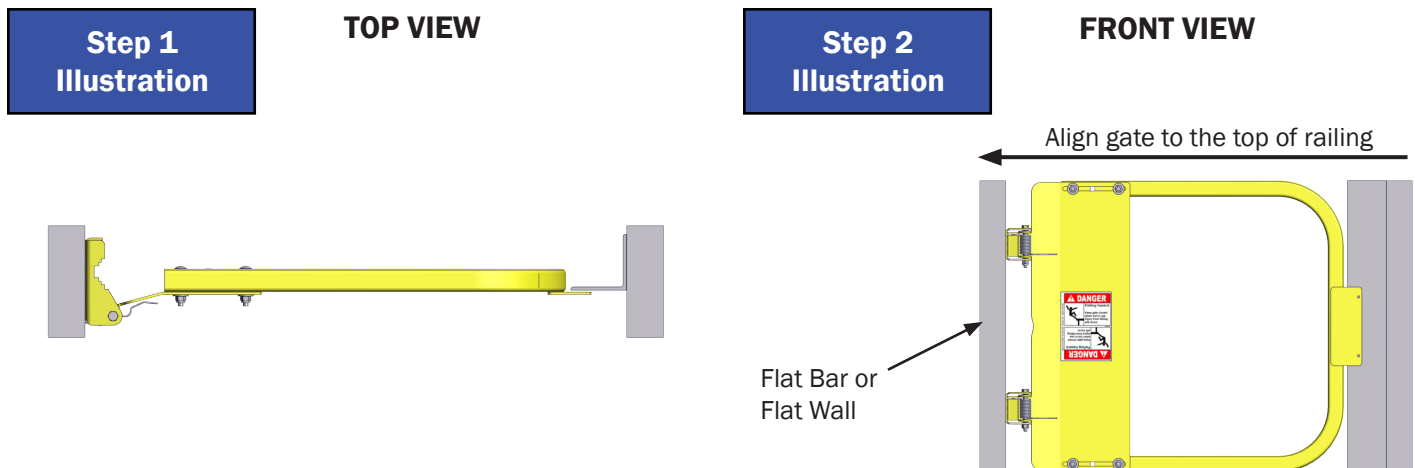
Installation on Flat Bar Railing or Wall Surface

IX. Installation on Flat Bar Railing or Flat Wall Surface (Supplied By Others, **NOT** PS Safety Access)

NOTICE If mounting your Ladder Safety Gate to flat bar railing: Gate bolts directly to existing railing (see below installation instructions). If you do not wish to drill into your existing railing system, call PS Safety Access at 877.446.1519 to order a “no drill” adapter bracket.

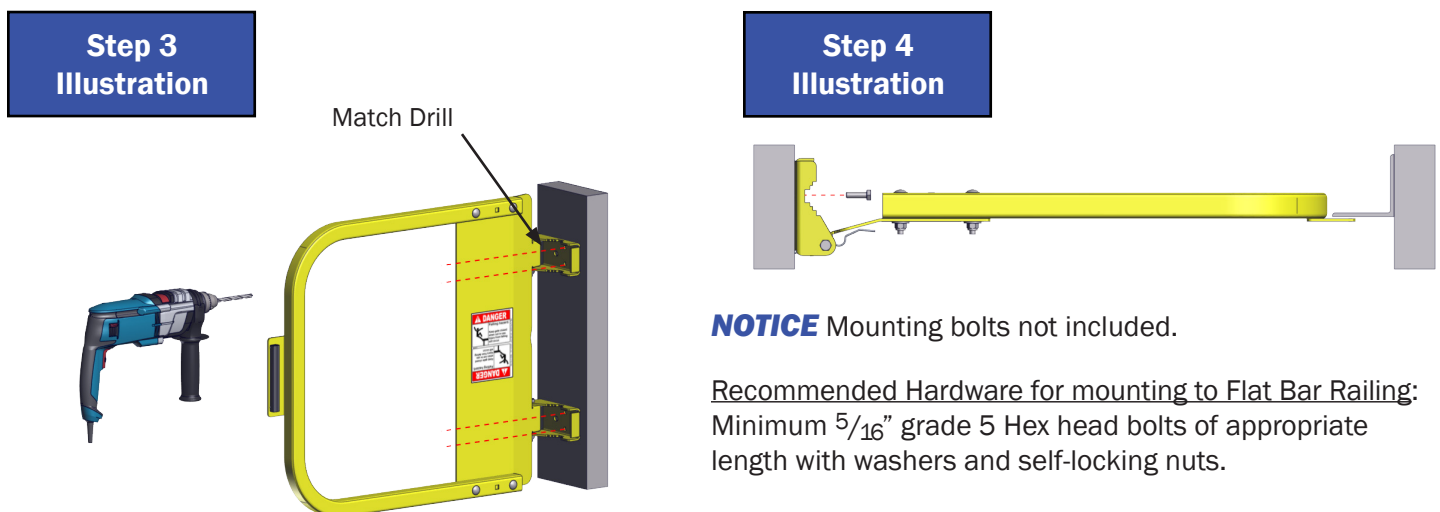
STEP 1. Align the Ladder Safety Gate Railing Bracket flush to the flat bar/flat wall.

STEP 2. Adjust top of Ladder Safety Gate to align with top of railing.



STEP 3. Match drill $\frac{3}{8}$ " holes into the railing. (One per Railing Bracket.) If no railing, adjust top of hoop/gate arm to 42" above walking surface.

STEP 4. Insert appropriate mounting bolts through Railing Brackets into flat bar railing (Mounting bolts provided by others, **NOT** PS Safety Access). Loosely attach the Ladder Safety Gate to the flat bar/flat wall.



NOTICE Mounting bolts not included.

Recommended Hardware for mounting to Flat Bar Railing:
Minimum $\frac{5}{16}$ " grade 5 Hex head bolts of appropriate length with washers and self-locking nuts.

Recommended Hardware for mounting to Flat Wall Surface:
Minimum use mechanical or chemical fastener, sized appropriate, for mounting material and loading requirements.

NOTICE Rest of gate not shown.

STEP 5. Refer to STEPS 4-7 on Page 4 and 5 for remainder of installation.

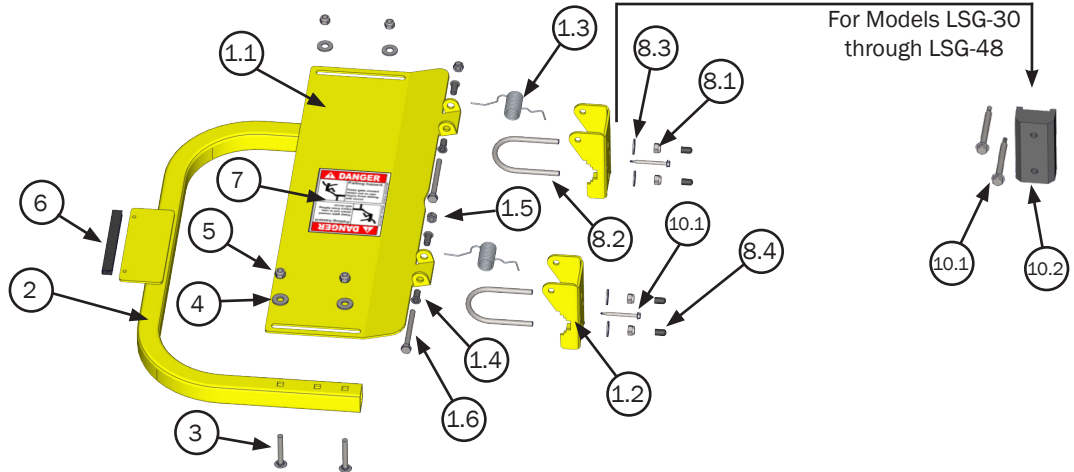
NOTICE If no stop surface is available for the stop plate to rest against, install stop surface (Provided By Others, **NOT** PS Safety Access), using appropriate anchoring hardware and material, to align with the stop plate.

Replacement Parts List

X. Replacement Parts List

NOTE 1: Ladder Safety Gate is shipped fully assembled. Diagram is for part identification only.

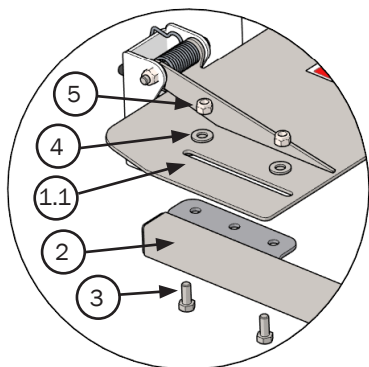
NOTE 2: This diagram is for PCY/GAL/SS Models. Hardware variants for SS-SW Model and ALU Model on Page 9.



ITEM #	DESCRIPTION	QTY	GATE FINISH TYPE				
			SS	PCY	GAL	SS-SW	ALU
1	LSG;HINGE PLATE ASSEMBLY (2-Hinge Plate)	1	508233	502079	502078	502080	509816
1	LSG;HINGE PLATE LG ASSY (3-Hinge Plate)	1	508234	502082	502081	502083	
1.1	LSG;HINGE PLATE (2-Hinge Plate)	1	508230	500956	500954	500957	509789
1.1	LSG;HINGE PLATE LARGE (3-Hinge Plate)	1	508232	500952	500951	500953	
1.2	LSG;RAILING BRACKET	2 [3*]	501007	501006	501004	501007	501007
1.3	LSG;TORSION SPRING, ST. STL**	2 [3*]	501659	501659	501659	501659	501659
1.4	BEARING;G300 FLANGE, .3125ID	4 [6*]	509753	509753	509753	509753	509753
1.5	NUT;NYLOCK 5/16"-18	2 [3*]	501121	501126	501126	501121	501221
1.6	BOLT;HEX5/16"18X3	2 [3*]	500433	500431	500431	500433	500433
2	LSG;HOOP/GATE ARM-XX	1	PART # DEPENDENT ON SIZE OF GATE. CONSULT FACTORY.				
3	BOLT;CARRIAGE5/16" 18X2"	4	509980	500326	500326		509980
3	BOLT;HEX5/16"18X3/4,316SS	4				500430	
4	WASHER, FLAT 5/16"	4	501948	501949	501949	501948	501948
5	NUT;NYLOCK 5/16"-18	4	501121	501126	501126	501121	501121
6	WS;LSG BUMPER .25X1.0X5.75 PSA	1	514398	514398	514398	514398	514398
7	DECAL;LSG ANSI DANGER	2	500569	500569	500569	500569	500569
8	LSG;HARDWARE BAG (2-Hinge Plate)	1	502076	502075	502075	502076	502076
8	LSG;HARDWARE BAG MOD (3-Hinge Plate)	1	510976	502204	502204	510976	510976
8.1	NUT;NYLOCK 5/16"-18	4 [6*]	501121	501126	501126	501121	501121
8.2	BOLT;U 5/16"18X1-1/2" PIPE	2 [3*]	500459	500461	500461	500459	500459
8.3	WASHER, FLAT 5/16"	4 [6*]	501948	501949	501949	501948	501948
8.4	LSG;CAP PLASTIC FOR 5/16 BOLT	4 [6*]	500932	500932	500932	500932	500932
9	LSG;INSTALLATION/O & M MANUAL	1	509210	509210	509210	509210	509210
10	LSG;SUPPORT BLOCK KIT	1	503753	503633	503633	503753	503753
10.1	SCREW;HEXDRILL 14X2	2	506072	506020	506020	506072	506072
10.2	LSG;STRIKE SUPPORT BLOCK PC	1	514493	514493	514493	514493	514493

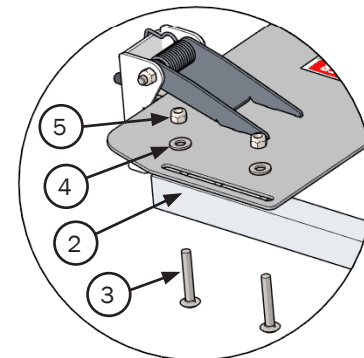
Replacement Parts List

SS-SW Gates Hardware Variant



FINISH OPTIONS	
SS	Stainless Steel
SS-SW	Stainless Steel - Seal Welded
PCY	Powder Coat Safety Yellow
GAL	Hot Dipped Galvanized
ALU	Aluminum

ALU Gates Hardware Variant



Mounting hardware for all Stainless Steel gates is type 316 alloy

*Quantity for 3-Hinge Plate variants

**For replacement springs, order Torsion Spring Kit (part #511686.) Kit includes (1)LSG Torsion Spring, (2)Bushings and Installation Instructions.

**TO ORDER PARTS CONTACT PS SAFETY ACCESS AT
877.446.1519 or 4psinfo@psindustries.com**

Inspection and Maintenance

XI. Inspection and Maintenance (Minimum Annually)

IMPORTANT! Consult parts list before replacing fasteners, as all have specific design load requirements. Only use like items for replacement.

A. Ladder Safety Gate:

1. Inspect components for damage and misalignment. Adjust, repair, or replace as needed, to meet original design tolerance.
2. Check gates for proper alignment with catch. Adjust as necessary to achieve proper alignment.

B. Fasteners and mechanical connections

1. All fasteners must be in place and adjusted to their original design standard. Replace any damaged components.
2. Check all mounting connections, making sure they meet original design standards (refer to instructions).

C. Finishes

1. Inspect and clean finishes periodically.
2. Touch up repair finishes, or refinish as necessary to protect the structural integrity of the Ladder Safety Gate.
3. The PCY Ladder Safety Gate comes with a polyester powder coat finish. Use finish materials compatible with powder coat. Follow paint manufacturers' instructions for prep and touch-up.

D. Housekeeping

1. To ensure your product continues to operate and last, upon completion of proper installation, complete the following:
 - a. Clean all surfaces.
 - b. If project is ongoing, protect installed products until final completion of project.
 - c. Touch-up, repair, or replace damaged components.
2. Ensure the area is clear of debris and interferences while swinging the gates.

E. Labels and Placards:

1. Inspect all labels and placards.
2. Replace any labels and placards which are unreadable/missing.

PS INDUSTRIES® INCORPORATED – LIMITED WARRANTY

Limited Warranty: Subject to the terms of this Limited Warranty, PS Industries® Incorporated warrants to the original user or consumer (the “Owner”) of a PS Industries product (the “Product”) that, for a period of one (1) year from date of shipment, the Product will be free from defects in material and workmanship under normal use and service, and provided the Product is installed, operated and maintained in accordance with instructions supplied by PS Industries. The terms and limitations of this Limited Warranty apply to all repaired or replacement Products for a term equal to the balance of the warranty remaining on the Product that was repaired or replaced as of the date of such repair or replacement. Register online at: www.psindustries.com/contact/register-your-product

PS Flood Barriers™ Product Warranty Registration: For PS Flood Barriers™ Products, this Limited Warranty will only be valid if the Owner completes the Warranty Registration Form provided within thirty (30) days of Product installation. To request a copy of the Warranty Registration Form, contact PS Industries Incorporated, 1150 S. 48th Street, Grand Forks, ND 58201, phone 877-446-1519, email: 4psinfo@psindustries.com. Register online at: www.psindustries.com/contact/register-your-product/ Additional Warranty Registration Forms can be downloaded at www.psfloodbarriers.com/download-center/

Warranty Exclusions: Notwithstanding anything to the contrary, this Limited Warranty does not cover any of the following:

1. Normal wear and tear (including, but not limited to, normal wear and tear to gaskets and weather seals); damage or accidents resulting from freight damage, from failure to follow precautionary safety measures, or applied paint failure; abuse, misuse or unauthorized modification of the Product; misapplication; improper installation; or any defects, damage or other harm that is not the result of the acts or omissions of PS Industries.
2. Cost of field labor or other charges incurred by Owner in removing and/or re-affixing the Product or any part or component thereof.
3. Transportation costs.

Unauthorized modification of or to the Product voids this Limited Warranty. Authorized modifications, received in writing from PS Industries, as long as the modification is accomplished in strict accordance with PS Industries’ instructions, does not void warranty. To request product modifications contact PS Industries, 1150 S. 48th Street, Grand Forks, ND 58201, phone 877-446-1519, email: 4psinfo@psindustries.com.

Claim Procedure: To make a claim under this Limited Warranty, the claim must be received by PS Industries before the expiration of the above stated Limited Warranty period together with proof of purchase. Contact PS Industries at the address shown below.

PS Industries Incorporated	Toll Free: 877-446-1519
Attention: Warranty	Phone: 701-746-4519
1150 S. 48th Street	Fax: 701-746-8340
Grand Forks, ND 58201	E-mail: 4psinfo@psindustries.com

An authorized PS Industries representative must be given a reasonable opportunity to inspect and investigate the alleged Product defect prior to any work being done that affects the Product or its installation. PS Industries reserves the right to charge reasonable amounts for travel and labor associated with investigation of claims. PS Industries may also require photographs of the alleged Product defect or return of the Product or part to a designated PS Industries location, freight prepaid. A return goods authorization must be received prior to the return of the Product or part. Please contact PS Industries to determine the designated location for return and to obtain the return material authorization.

Exclusive Remedy: In the event of a warranty claim that PS Industries determines to be covered by this Limited Warranty, PS Industries will replace or repair, at PS Industries’ discretion, the Product or any part of the Product found to be defective.

Disclaimers: The above warranty and remedy is the sole express warranty and remedy given by PS Industries on its Product. No warranties or representations at any time made by any representative from PS Industries shall vary or expand the provisions hereof. TO THE EXTENT PERMITTED BY LAW, ALL EXPRESS AND IMPLIED WARRANTIES (INCLUDING IMPLIED WARRANTIES OF MERCHANTABILITY, FITNESS FOR A PARTICULAR PURPOSE AND NON-INFRINGEMENT) OTHER THAN THE EXPRESS LIMITED WARRANTY SET FORTH ABOVE ARE EXPRESSLY DISCLAIMED. UPON THE EXPIRATION OF THE ABOVE STATED LIMITED WARRANTY PERIOD, ANY AND ALL APPLICABLE IMPLIED WARRANTIES, INCLUDING, WITHOUT LIMITATION, WARRANTIES OF MERCHANTABILITY, FITNESS FOR A PARTICULAR PURPOSE AND NON-INFRINGEMENT, ARE DISCLAIMED. SOME STATES DO NOT ALLOW LIMITATION ON HOW LONG AN IMPLIED WARRANTY LASTS, SO THE ABOVE LIMITATION MAY NOT APPLY TO OWNER.

LIABILITY LIMITATION: In no event will PS Industries’ liability to Owner or any other person or entity exceed the price paid to PS Industries for the defective Product. IN NO EVENT SHALL PS INDUSTRIES BE LIABLE TO OWNER OR ANY OTHER PERSON OR ENTITY FOR INCIDENTAL, CONSEQUENTIAL, INDIRECT OR SPECIAL DAMAGES OF ANY DESCRIPTION, WHETHER ARISING OUT OF WARRANTY (INCLUDING ANY IMPLIED WARRANTIES) OR ANY OTHER CONTRACT, STRICT LIABILITY, NEGLIGENCE OR OTHER TORT, OR OTHERWISE, INCLUDING ARISING FROM INSPECTION OR REMEDY DELAYS. SOME STATES DO NOT ALLOW THE EXCLUSION OR LIMITATION OF INCIDENTAL OR CONSEQUENTIAL DAMAGES, SO THE ABOVE LIMITATION AND EXCLUSION MAY NOT APPLY TO OWNER.

THIS WARRANTY GIVES OWNER SPECIFIC LEGAL RIGHTS AND OWNER MAY ALSO HAVE OTHER RIGHTS, WHICH VARY FROM STATE TO STATE.



877.446.1519

4psinfo@psindustries.com | pssafetyaccess.com
1150 South 48th Street | Grand Forks, ND 58201

Product Registration:
psindustries.com/contact/register-your-product